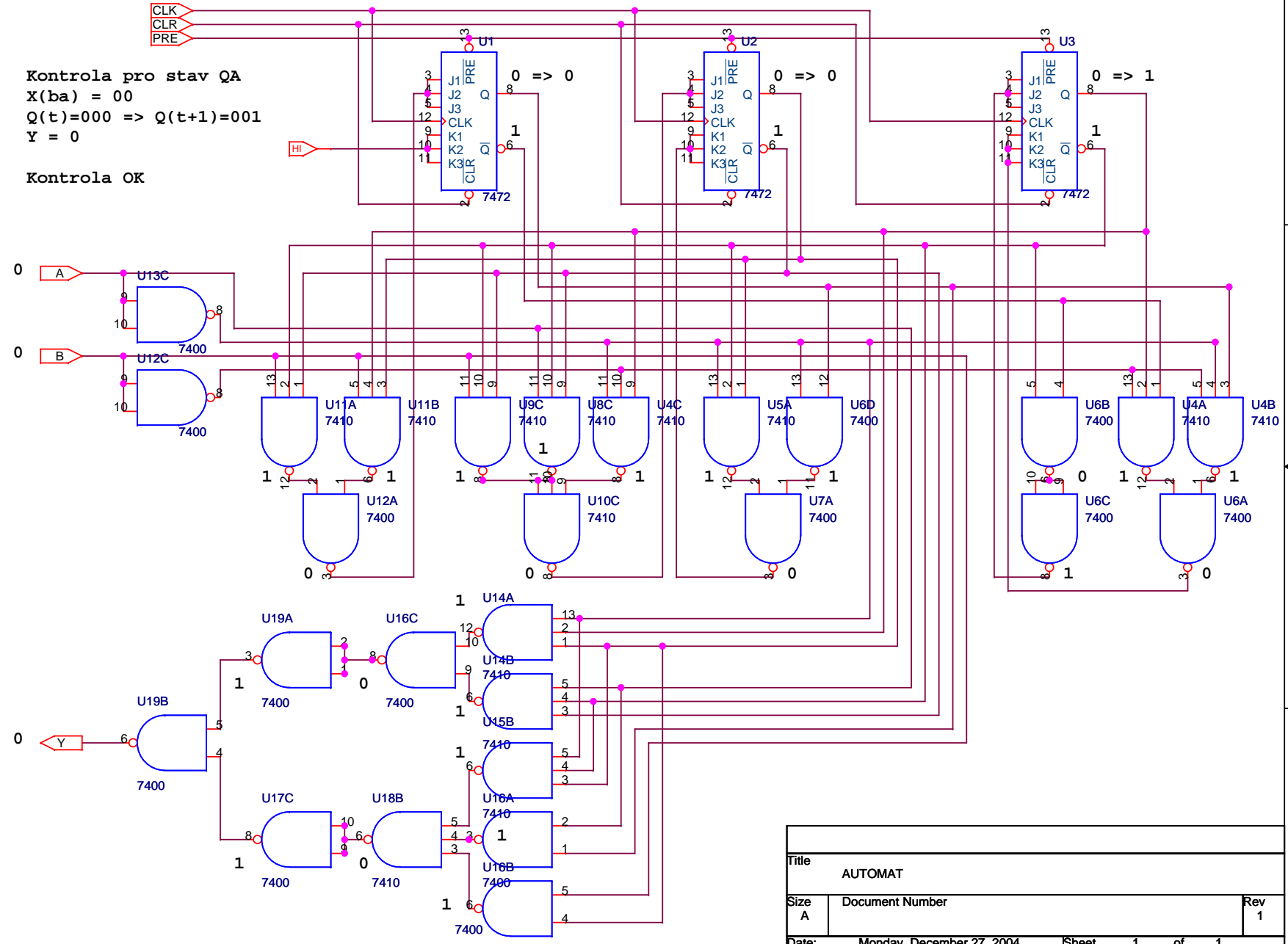


Kontrola pro stav QA
 $X(ba) = 00$
 $Q(t)=000 \Rightarrow Q(t+1)=001$
 $Y = 0$

Kontrola OK



Title		
AUTOMAT		
Size	Document Number	Rev
A		1
Date:	Monday, December 27, 2004	Sheet 1 of 1