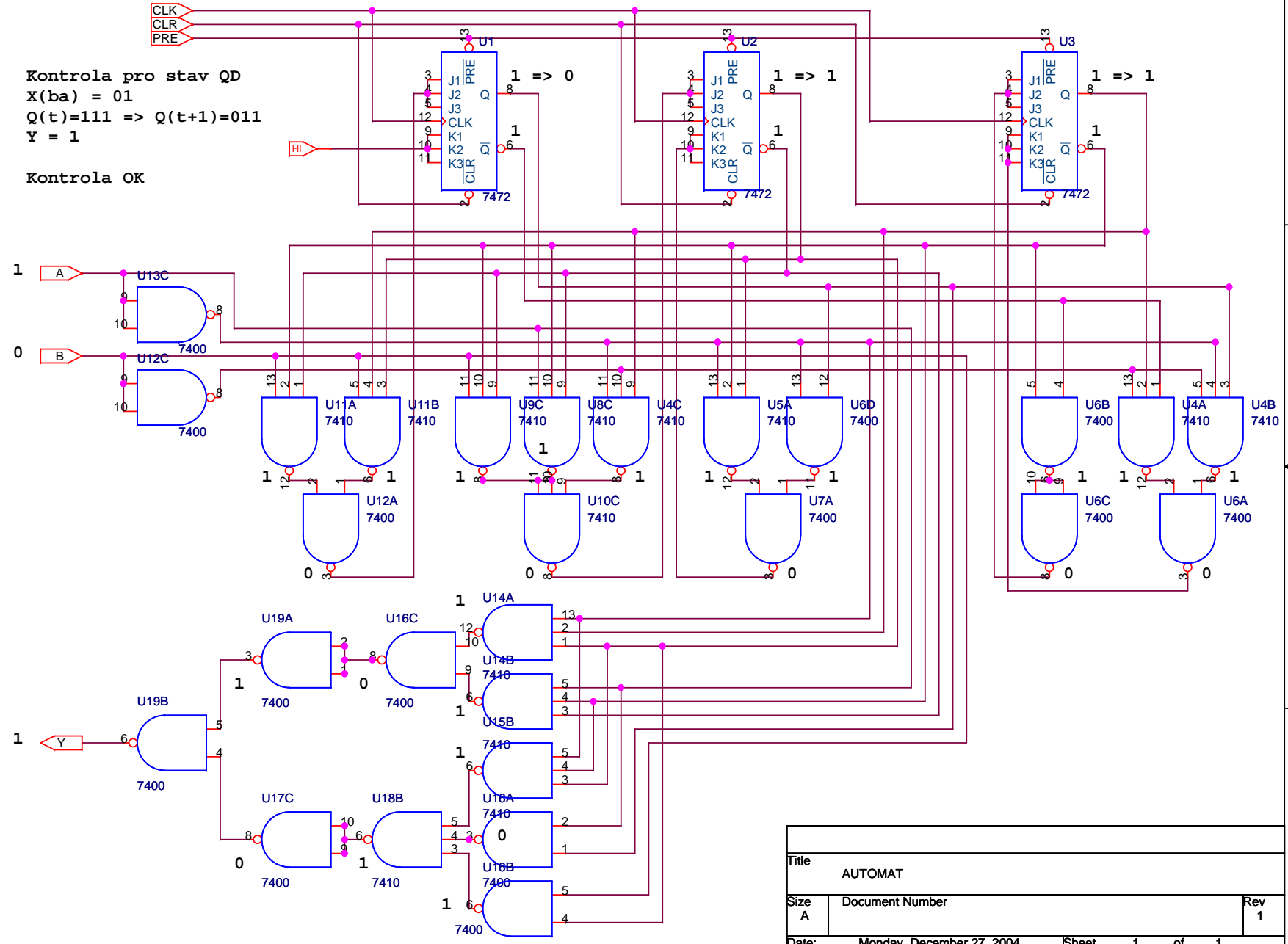


Kontrola pro stav QD  
 $X(ba) = 01$   
 $Q(t)=111 \Rightarrow Q(t+1)=011$   
 $Y = 1$

Kontrola OK



|         |                           |              |
|---------|---------------------------|--------------|
| Title   |                           |              |
| AUTOMAT |                           |              |
| Size    | Document Number           | Rev          |
| A       |                           | 1            |
| Date:   | Monday, December 27, 2004 | Sheet 1 of 1 |